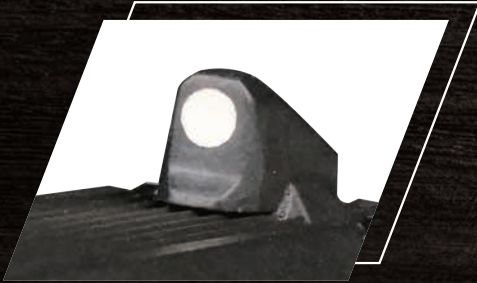


LEGACY

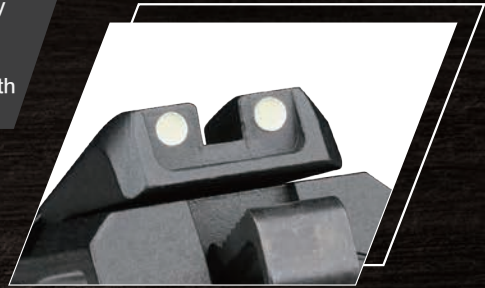




- GBB and CO2 dual system options are available, with the GBB version equipped with the Revo high-performance gas valve to improve gas conversion efficiency and increase gas efficiency by 20%. The CO2 version uses a Japanese-made CO2 gas valve from Mr. Kobayashi for more stable airflow output and safe operation.
- The LEGACY adopts a length of 4.3" , with a simple and classic appearance combined with modern design, presenting a more extraordinary taste. The entire gun has high compatibility with Tokyo Marui Hi-Capa parts, providing a wider range of variety of maintenance, repair, and upgrade options.
- Equipped with an upgraded TDC HOP High-performance hop-up system unit and paired with Master Mods R-Hop bucking, it can be used with 0.48g BBs to effectively improve trajectory stability and accuracy, resulting in better shooting performance.



Luminous front sight



Luminous rear sight



Aluminum alloy slide

Enlarged Thumb Safety Lever

Enlarged Slide Stop Lever

Plastic Insert Molding

Enhanced magazine
ejection button



BE A GAME CHANGER

ICS AIRSOFT

WWW.ICSBBS.COM

HI-CAPA



Pre-upgraded Steel Parts

Durable Special Nylon anti-slip pattern grips



Reinforced Magazine Base Plate



Adjustable Flat Trigger



11mm thread length / 14mm thread adapter for silencer



BE A GAME CHANGER

ICS AIRSOFT

[WWW.ICSBB.COM](http://www.icsbb.com)

HI-CAPA

MASTER HI-CAPA TDC HOP CHAMBER FOR TM SPEC



TDC Top-Dead-Center mount design for the best even spread out vertical bucking pressure, which stabilizes the trajectory and increase accuracy and range. The pressure ring was built by powder steel which increase the form preciseness that would provide much better stabilities.



MASTER MODS R-Hop System

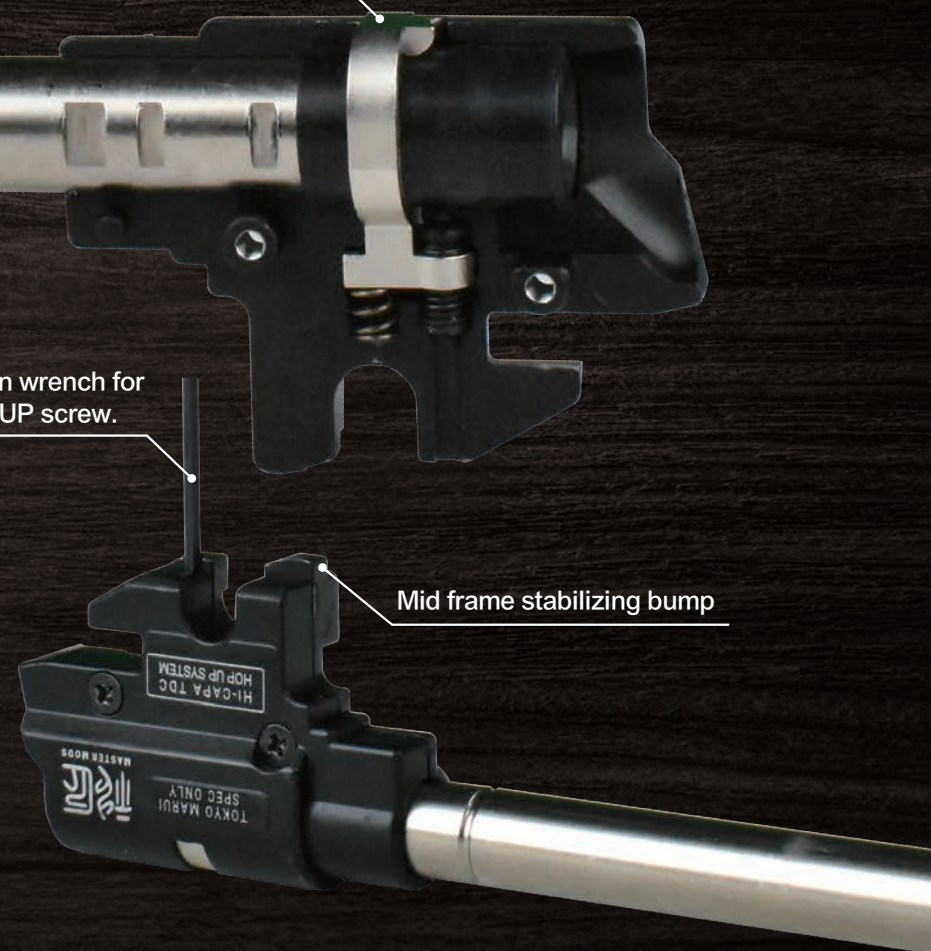
TDC HOP UNIT TM COMPATIBLE



- Perfect TDC Top-Dead-Center force hop pressure.
- Compatible with Tokyo Marui spec Hi-Capa.
- R-hop system and Electroless nickel coating 6.04mm inner barrel enhancing accuracy and consistency with high durability and reliability.
- Redesigned structure to provide extra support to lower part of chamber.

1.5mm hexagon wrench for Fine Tuning H-UP screw.

Mid frame stabilizing bump

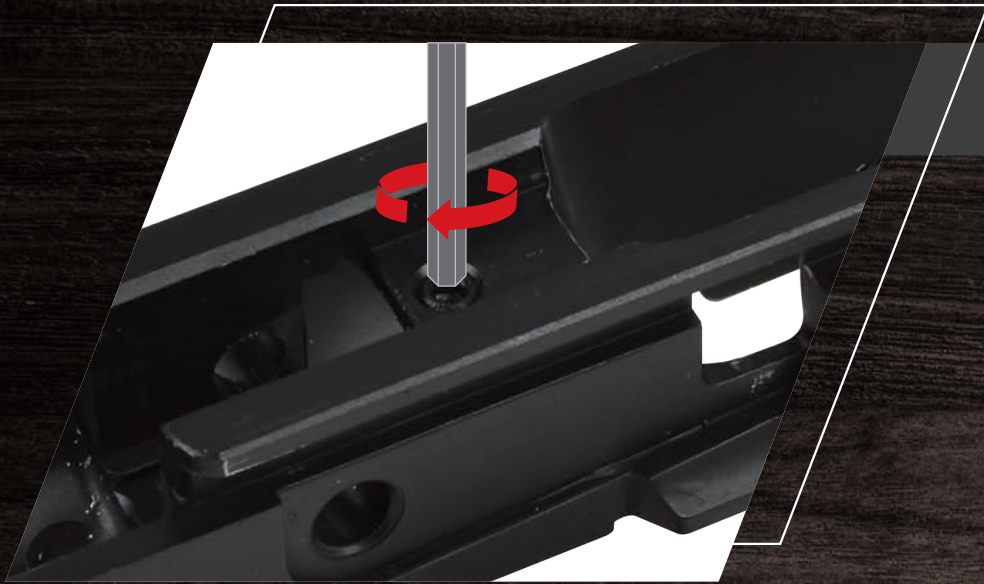


BE A GAME CHANGER

ICSAIRSOFT

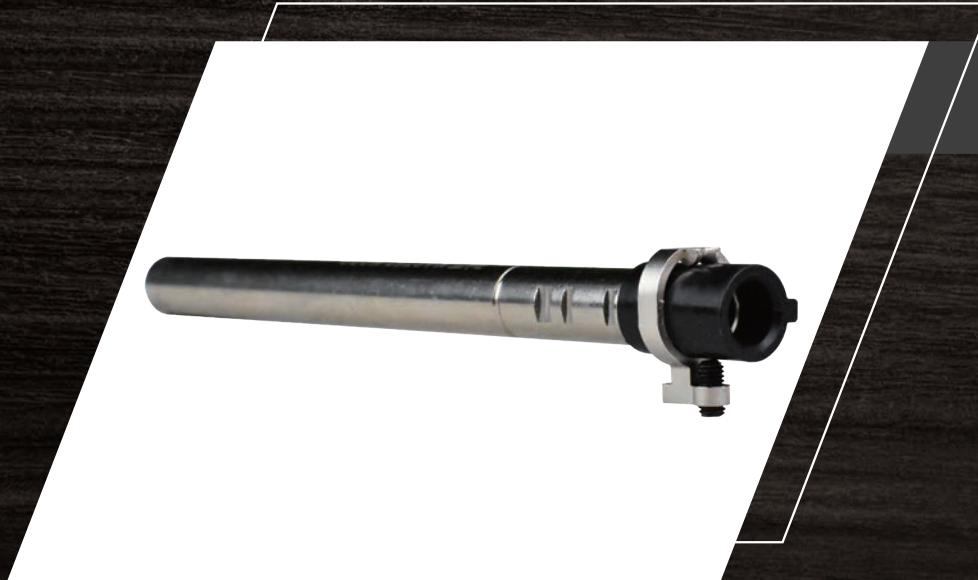
WWW.ICSB.COM

HI-CAPA



Fixed H-UP set with Barrel Lock

The exclusive fixing Barrel Lock screw on the H-UP set. It provides higher stability while recoiling and significantly increases the accuracy.



Unique design of master mods R-HOP

- Rubber layer chamber is foolproof to install and deform resisting.
- R-Hop's friction surface is evenly spread out for stability and optimize heavy bb's trajectory.
- Electroless nickel coating to smoother the inner tube surface and optimize accuracy.



BE A GAME CHANGER

ICS AIRSOFT

WWW.ICSB.B.COM

HI-CAPA



Stippled Textured
Anti-Slip Pattern

Unique Stippled textured anti-slip pattern to increase stability when holding the gun.



Reinforced Magazine
Base Plate

- 30 rounds high-capacity (dual-row) magazine, equipped with durable nylon fiber magazine base plate.
- Concaving design for quick mag pull and easy to handle.



BE A GAME CHANGER

ICS AIRSOFT

[WWW.ICSBB.COM](http://www.icsbb.com)

HI-CAPA



Adjustable trigger

The Short Stroke Trigger can effectively reduce the trigger traveling distance, increase the rate of fire, and greatly enhance the shooting responsiveness and accuracy.



Plastic Insert Molding

The screw lock point between the middle frame and the trigger guard with the Plastic Insert Molding to strengthen the stability and prevent the frame from shaking.

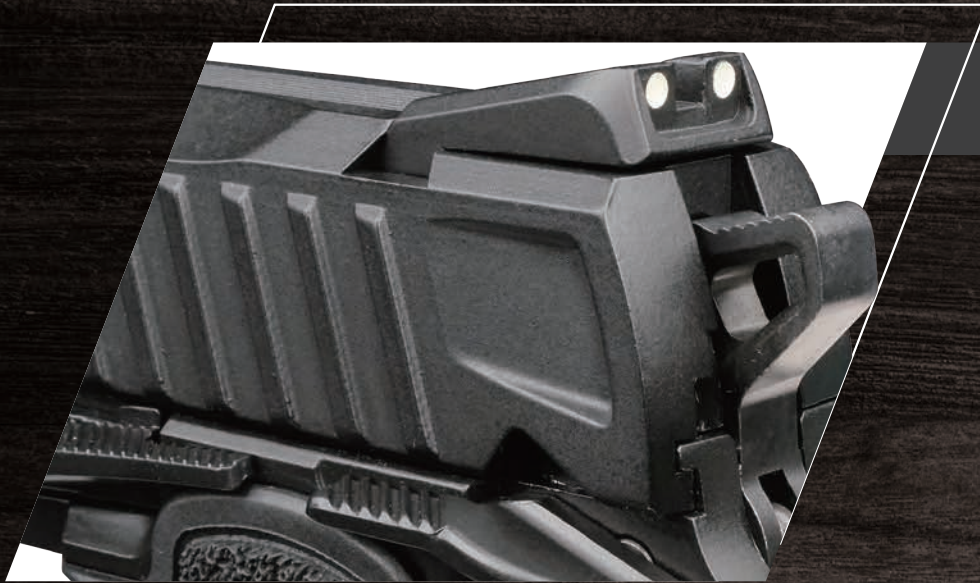


BE A GAME CHANGER

ICS AIRSOFT

WWW.ICSB.B.COM

HI-CAPA



Aluminum Slide for Smooth Pull Action

Adding a notch at the end of the slide increases the force application point, making the slide pull action faster and more accurate.



Recoil Reverse Plug Retention Clip (For 1911 / Hi-Capa)

1911/Hi-Capa recoil spring guide rod with reverse plug retention clip is included with the gun, which can remove the cover spring and guide rod assembly more quickly and conveniently.

HIGH PERFORMANCE PACKAGE

MX-026 / MX-026A

Hi-Capa Mount

MX-025 / MX-025A

Hi-Capa Enlarged Magazine Release Button Combination

MX-024 / MX-024A

Hi-Capa Rhino Flat Trigger

MX-049 / MX-049A / MX-049B

Al6061 Hi-capa Magazine Base Pad



BE A GAME CHANGER

ICS AIRSOFT

[WWW.ICSB.COM](http://www.icsbb.com)

HI-CAPA



MODEL OPTION



BLE-017-SB

SPECIFICATIONS

Model	BLE-017-SB
Total Length	205 mm
Inner Barrel Length	97 mm
Weight	886 g
Muzzle Velocity	95m/s (312 FPS)
Caliber	6mm
Magazine Capacity	30 rounds
Frame Material	Aluminum
Slide Material	Aluminum
Power	Green Gas / CO2
H-up	Adjustable

- * Measured w/0.20g BBs and green gas tested @ 25°C room temperature.
- * Gun specs will be set differently according to the required settings from each market, the specifications listed above are for general use only.



BE A GAME CHANGER

ICS AIRSOFT

WWW.ICSB.COM

HI-CAPA