

HI-CAPA

GBB
GAS

M



6

ADJUSTABLE
H-UP



R-HOP



CHALLENGER
CAL.368 SUPER-COMPETITION GRADE

HOLOSUN



- The Challenger is the latest GBB model developed by ICS, not just the amazing ergonomic design, and superior shooting performance, the challenger is fully Tokyo Marui compatible. The ICS challenger is ready to challenge the world of Hi-Capa.
- Hi-Capa CHALLENGER's accessories are highly compatible with the Tokyo Marui Hi-Capa. Featuring pragmatic design and additional screw locking points on the mid frame for barrel tightness tuning. Which manipulates the gap between the mid frame and the HOP up unit. This GBB is equipped with the TDC Master Mod R-HOP hop up set to optimize range, accuracy and stability.



Luminous front sight



Luminous rear sight



Aluminum alloy slide

Enlarged Thumb Safety Lever

Enlarged Slide Stop Lever

Plastic Insert Molding

Enhanced magazine ejection button



BE A GAME CHANGER

ICS AIRSOFT

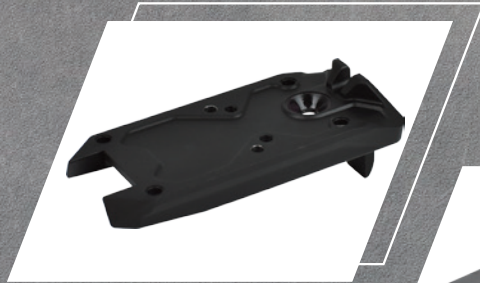
WWW.ICSBBS.COM

CHALLENGER

HI-CAPA



Pre-upgraded Steel Parts



Mount for RMR and DOC and intergraded glow in dark front and rear sight



MARUI TRADITIONAL HI-CAPA SIGHT ADAPTER

Durable Special Nylon anti-slip pattern grips



Reinforced Magazine Base Plate

Adjustable trigger

11mm thread length / 14mm thread adapter for silencer



Magwell for quick mag changing.



BE A GAME CHANGER

ICS AIRSOFT

www.icsbb.com

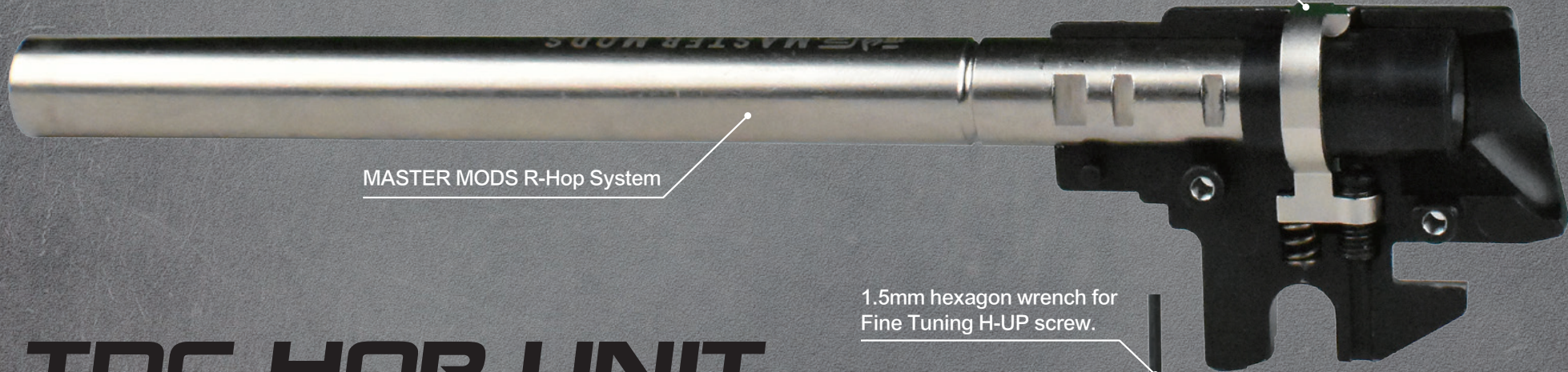
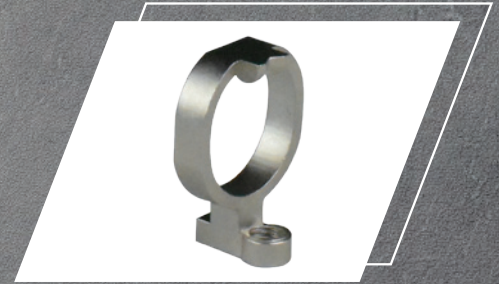
CHALLENGER

HI-CAPA

MASTER HI-CAPA TDC HOP CHAMBER FOR TM SPEC



TDC Top-Dead-Center mount design for the best even spread out vertical bucking pressure, which stabilizes the trajectory and increase accuracy and range. The pressure ring was built by powder steel which increase the form preciseness that would provide much better stabilities.



MASTER MODS R-Hop System

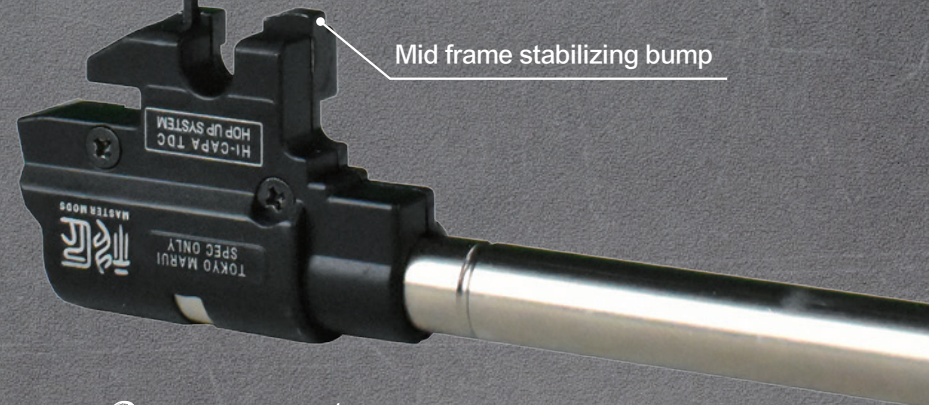
1.5mm hexagon wrench for Fine Tuning H-UP screw.

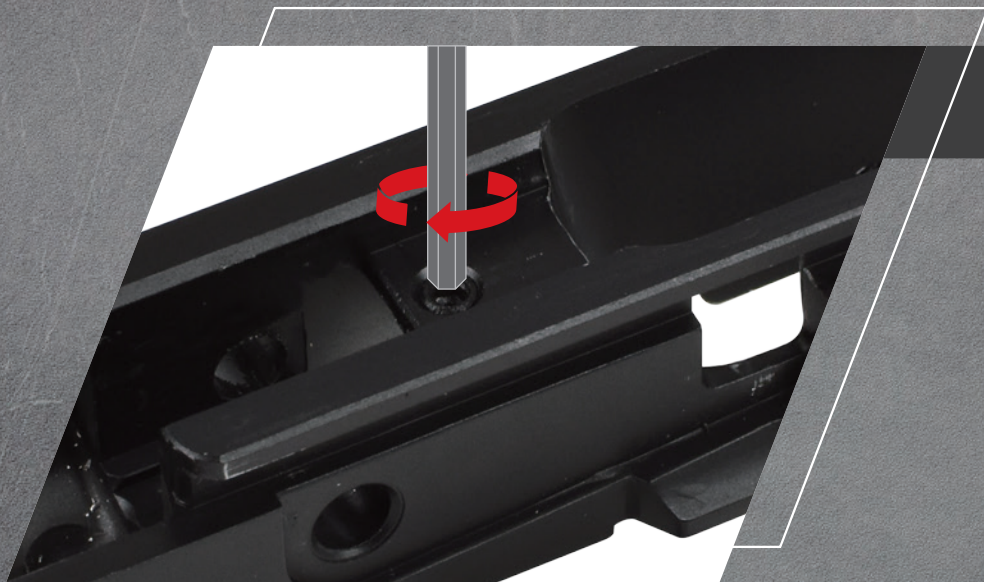
Mid frame stabilizing bump

TDC HOP UNIT TM COMPATIBLE



- Perfect TDC Top-Dead-Center force hop pressure.
- Compatible with Tokyo Marui spec Hi-Capa.
- R-hop system and Electroless nickel coating 6.04mm inner barrel enhancing accuracy and consistency with high durability and reliability.
- Redesigned structure to provide extra support to lower part of chamber.





Fixed H-UP set with Barrel Lock

The exclusive fixing Barrel Lock screw on the H-UP set. It provides higher stability while recoiling and significantly increases the accuracy.



Unique design of master mods R-HOP

- Rubber layer chamber is foolproof to install and deform resisting.
- R-Hop's friction surface is evenly spread out for stability and optimize heavy bb's trajectory.
- Electroless nickel coating to smoother the inner tube surface and optimize accuracy.



BE A GAME CHANGER

ICS AIRSOFT

WWW.ICSBBS.COM

CHALLENGER

HI-CAPA



Mount for hammer protection plate

- The RMR & DOC mount is made of light aluminum alloy to reduce the weight when the slide moves.
 - The new-developed hammer protection pad to shorten the stroke of the hammer and also reduce the wear caused by the hammer at the same time.
- * Tapped hole: M3.5xP0.6 mm



Reinforced Magazine Base Plate

- 30 rounds high-capacity (dual-row) magazine, equipped with durable nylon fiber magazine base plate.
- Concaving design for quick mag pull and easy to handle.



BE A GAME CHANGER

ICS AIRSOFT

WWW.ICSBBS.COM

CHALLENGER

HI-CAPA



Adjustable trigger

The Short Stroke Trigger can effectively reduce the trigger traveling distance, increase the rate of fire, and greatly enhance the shooting responsiveness and accuracy.



Plastic Insert Molding

The screw lock point between the middle frame and the trigger guard with the Plastic Insert Molding to strengthen the stability and prevent the frame from shaking.



BE A GAME CHANGER

ICS AIRSOFT

[WWW.ICSBB.COM](http://www.icsbb.com)

CHALLENGER

HI-CAPA



Aluminum alloy slide

The aluminum alloy slide offers a solid and powerful recoil while shooting.



Recoil Reverse Plug Retention Clip (For 1911 / Hi-Capa)

1911/Hi-Capa recoil spring guide rod with reverse plug retention clip is included with the gun, which can remove the cover spring and guide rod assembly more quickly and conveniently.



BE A GAME CHANGER

ICS AIRSOFT

www.icsbb.com

CHALLENGER

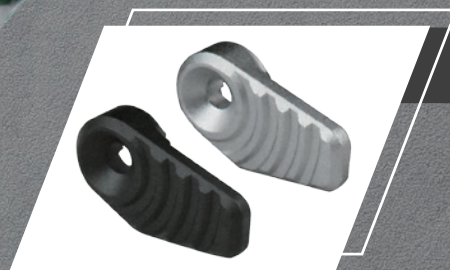
HI-CAPA

HIGH PERFORMANCE PACKAGE **COMING SOON**



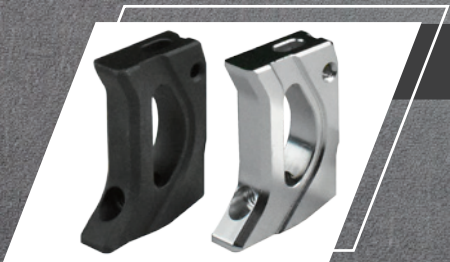
Quick charging handle
(Purchased Separately)

The quick charging handle was designed for the ICS Hi-Capa composite red dot base; it was designed to be used double sided which is suitable for left-handed and right-handed shooters. CNC-machined AL6061 RMR/DOC holes are suitable for the most of RMR and DOC in the market.



Larger magazine ejection button
(Purchased Separately)

Releasing button's large surface was designed for more intuitive handling and faster magazine reloads.



RINO straight pull trigger
(Purchased Separately)

Straight shape trigger design for the intuitive fast triggering.



BE A GAME CHANGER

ICS AIRSOFT

[WWW.ICSBB.COM](http://www.icsbb.com)

CHALLENGER

HI-CAPA



MODEL OPTION



SPECIFICATIONS

Model	BLE-007-SB
Total Length	220mm
Inner Barrel Length	113mm
Weight	963 g
Muzzle Velocity	95m/s (312 FPS)
Caliber	6mm
Magazine Capacity	30 rounds
Frame Material	Aluminum
Slide Material	Aluminum
Power	Green Gas
H-up	Adjustable

* Measured w/0.20g BBs and green gas tested @ 25°C room temperature.

* Gun specs will be set differently according to the required settings from each market, the specifications listed above are for general use only.